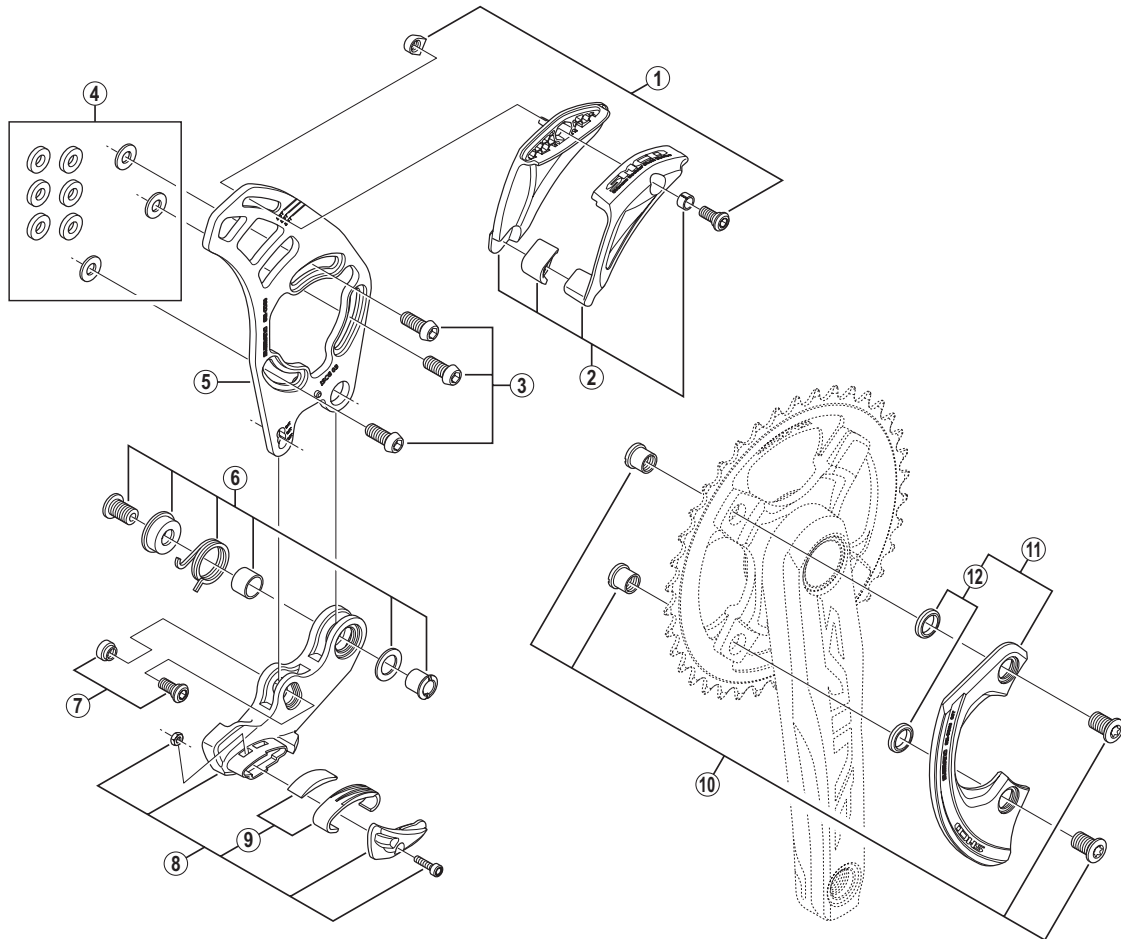


SAINT Modular Chain Device SM-CD50



ITEM NO.	SHIMANO CODE NO.	DESCRIPTION
1	Y1N898010	Upper Guide Fixing Bolt & Nut
2	Y1N898020	Upper Guide Unit
3	Y1N898030	Back Plate Fixing Bolts (M6 x 15) 3 pcs.
4	Y1N898040	Spacer Unit (1.25 mm: 3 pcs. / 2.5 mm: 6 pcs.)
5	Y1N898140	Back Plate for ISCG 03
	Y1N898150	Back Plate for ISCG 05
6	Y1N898050	Lower Guide Fixing Bolt Unit (M8 x 12)
7	Y1N898060	Lower Guide Positioning Bolt & Nut
8	Y1N898070	Lower Guide Unit
9	Y1N898080	Skid Plate & Rubber Pad
10	Y1N898090	Guard Fixing Bolts (M8 x 12) & Nuts
	Y1N898100	Guard 34T & Rubber Bush
11	Y1N898110	Guard 36T & Rubber Bush
	Y1N898120	Guard 38T & Rubber Bush
12	Y1N898130	Guard Rubber Bush (2 pcs.)

Nov.-2012-3467
© Shimano Inc. I

Specifications are subject to change without notice.

SHIMANO